

RJ45 Heavy Duty male 90° down 8pol. Ethernet

Ethernet

Male 90°

90° on bottom

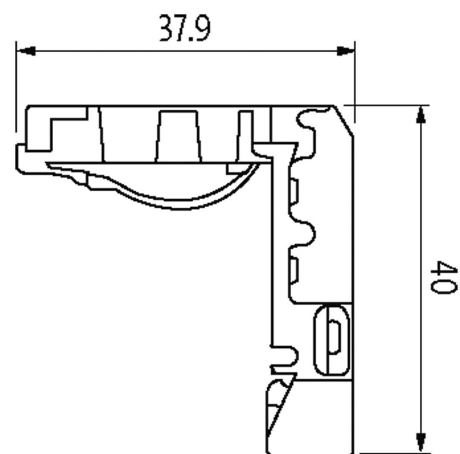
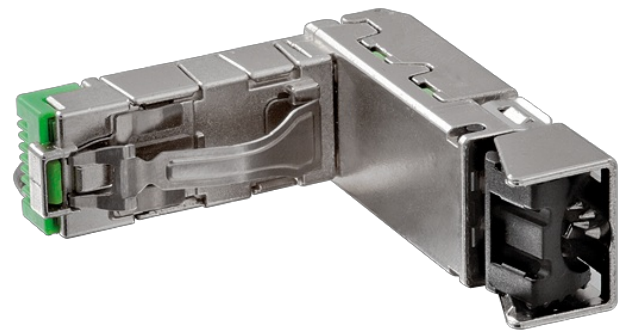
RJ45, 8-pole

Field-wireable

shielded

Protection IP20

The resistance to aggressive media should be individually tested for your application. Further details on request.

[Link to Product](#)**Illustration**

Product may differ from Image

Approvals**More Info**

EtherNet/IP

Form

Form

74095

General data

The information in this brochure has been compiled with the utmost care.

Liability for the correctness completeness and topicality of the information is restricted to gross negligence. Version: 11/20

| | |
|----------------------------|--------------|
| Material (contact carrier) | PC |
| Material (contact) | Copper alloy |
| Material (contact surface) | Au |
| Temperature range | -40...+70 °C |

Technical Data

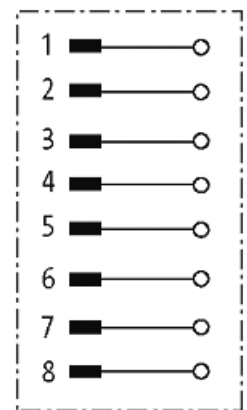
| | |
|--------------------------|--|
| Operating voltage | 50 V |
| Operating current | max. 1.75 A |
| No. of poles | 8 |
| Transfer parameters | CAT5e (ANSI/TIA/EIA-568-B.2-2001), CAT5 Class D nach ISO/IEC 11801 |
| Transfer rate | 1 Gbit/s |
| Frequency | max. 100 MHz |
| Connection cross section | 0.14...0.25 mm ² (AWG 24...26) |
| Sealing range (cable Ø) | 5...9 mm |
| Connection | Quick connection technology |
| Protection | IP20 |
| Material | Zinc die casting |
| Over voltage category | 1 |
| Mating cycles | min. 750 |

Commercial data

| | |
|-----------------------|---------------|
| country of origin | PL |
| customs tariff number | 85366990 |
| EAN | 4048879671217 |
| eClass | 27260705 |
| Packaging unit | 1 |

Sketch

Male



Product may differ from Image